

High speed rolling Door

# Surfsystem



Complies with the standard

**EN 13241-1**

Agreement N° P05-047



## The steel rolling door

➔ The **Surfsystem** has been designed to be installed where other doors won't :

- Freestanding frame, to install **Surfsystem** anywhere you need it.
- Dimensions up to 4m x 4m , to meet all your needs.
- A solid steel structure, to resist to any environment.

With **Surfsystem record** takes the high speed rolling door to a new level



[www.agta-record.com](http://www.agta-record.com)



**record**

# High speed rolling door Surfsystem



## A simple and sturdy door designed for heavy traffic :

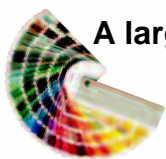
- Presence detection assured by a double row of safety cells.
- Twin speed motor– up speed  $1 \text{ m} \cdot \text{s}^{-1}$  – down speed  $0.49 \text{ m} \cdot \text{s}^{-1}$
- Industrial control panel with heavy duty PLC and contactors
- Door panel assembled by ultrasonic welding
- Prestressed polyester fabric  $670\text{g}/\text{m}^2$  laminated both sides with PVC.
- Flexible coupling for improved reducer lifetime

## A wide range of colors and solutions to meet all your expectations :

- 15 panel colors available as standard
- Your logo or picture printed on the door panel \*
- Frame powder coated ( RAL color on choice )
- Horizontal vision panel \*
- Every possible opening actuators manual or automatic
  - Push button, pullswitch, remote control...
  - Radars, photo cells, induction loop...
- In corridor installation, in front of a fire door installation \*

## People and building safety :

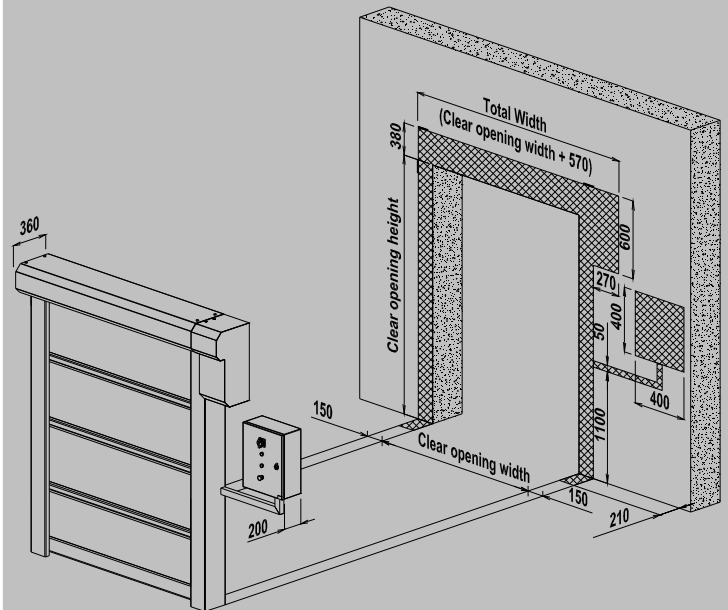
- Extra people safety :
  - Safety edge \*
  - Infrared detection\*, light barriers\*
  - Laser detection \*
- Product complies with standard EN 13241-1
  - Electromagnetic compatibility directive compliance
  - IP 65 Control panel
- Emergency openings :
  - Containment pin \*
  - Shoulder high crank handle \*
  - Automatic counterweight opening \*



A large choice of colors is available to integrate Surfsystem to your environment

Up to 4m x 4m !  
Great adaptability

- Free standing steel frame
- Compact header
- Many possibilities



### Engine

2 speed three-phase 380V  
0,37/0,55 Kw  
Left or right or frontside

### Operating speed

Opening  $1 \text{ m} \cdot \text{s}^{-1}$  - Shutting  $0,49 \text{ m} \cdot \text{s}^{-1}$

### Control panel


Industrial control  
Steel case (w) 400 x (h) 400 x (d) 200  
IP 65 protection class

### Wind load

Class 2 to 3 (interior door)

\* Optional equipment

Production

 record industry SA – F38

[www.agta-record.com](http://www.agta-record.com)

